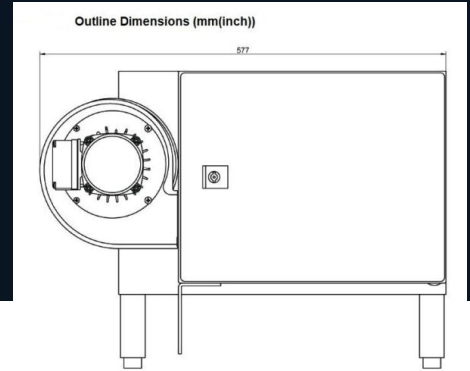


# MAGNETRONKOP

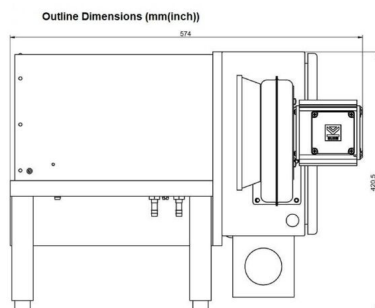
F -

## MH015KS-310CN

Category:



### GALLERY IMAGES



### ZUSÄTZLICHE INFORMATIONEN

<b>Art</b>	
<b>Frequenz [MHz]</b>	2450
<b>CW [W]</b>	15000
	2~ (L1 / L2 / PE)
<b>[V]</b>	230
<b>[Hz]</b>	50 / 60
	/
<b>[W]</b>	-

**(HMI)**

---

<b>[mm ( )]</b>	577 (22,72)
-----------------	-------------

---

<b>[mm ( )]</b>	420,5 (16,56)
-----------------	---------------

---

<b>[mm ( )]</b>	574 (22,60)
-----------------	-------------

---

	IP20
--	------

---

	WR430 / R22
--	-------------

---

---

---

---