

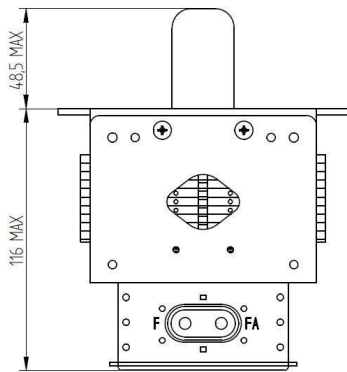
# MAGNETRON - MB1567A-170AB

Categories: Magnetrons

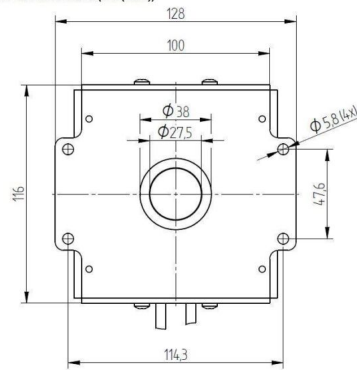


## BILDERGALERIE

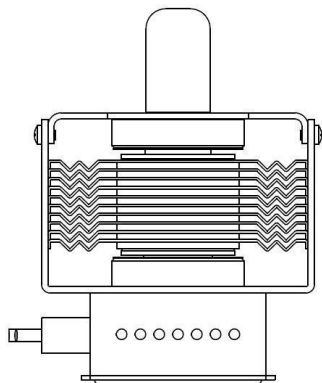
Outline Dimensions (mm(inch))



Outline Dimensions (mm(inch))



Outline Dimensions (mm(inch))



## ADDITIONAL INFORMATION

|   |                                 |
|---|---------------------------------|
| <b>Typ</b>                                      | Magnetron                       |
| <b>OEM Item Number</b>                          | MB1567A-170AB                   |
| <b>Output Power CW [W]</b>                      | 2000                            |
| <b>Frequency [MHz]</b>                          | 2450                            |
| <b>ISM Band</b>                                 | S-Band                          |
| <b>Cooling</b>                                  | air-cooled                      |
| <b>Orientation of HV and cooling connectors</b> | 90°                             |
| <b>Fastening / Studs</b>                        | 4 x Through-hole 5,8 (no studs) |
| <b>Orientation HV to fastening</b>              | 0°                              |
| <b>Magnet</b>                                   | Packaged magnet                 |
| <b>Cooling Connector Type</b>                   | -                               |
| <b>Temperature sensor</b>                       | -                               |