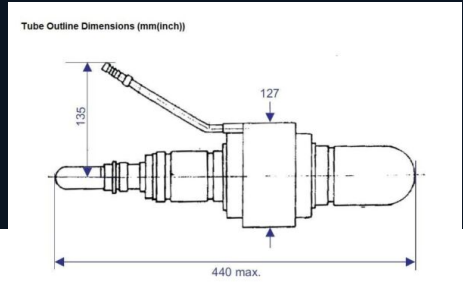


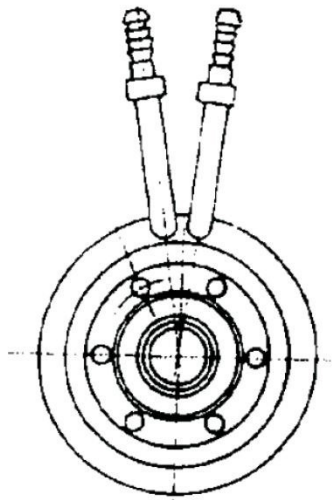
MAGNETRON - 1200054

Category: Magnetrons



GALLERY IMAGES

Tube Outline Dimensions (mm(inch))



ADDITIONAL INFORMATION

Typ	Magnetron
OEM Item Number	CK-147 5KW
Output Power CW [W]	5000
Frequency [MHz]	915
ISM Band	L-Band
Cooling	air-cooled & water-cooled

Orientation of HV and cooling connectors	–
Fastening / Studs	including pole piece
Orientation HV to fastening	–
Magnet	–
Cooling Connector Type	Hose Nipple Ø9 mm
Temperature sensor	–